

# INSK8N6CT2T

8 Channel 2 TB 4K NVR Bundle with  
6 x CHROMAVIEW 4.1MP TURRETS



## Camera Features

- 4MP, 1/3" CMOS image sensor, low illuminance
- Outputs max. 4MP (2688 × 1520) at 30 fps
- H.265 codec, high compression rate, ultra-low bit rate
- Built-in warm light with a max. illumination distance of 30 m
- Abnormality detection includes motion detection, video tampering, network disconnection, IP conflict, and illegal access

## NVR Features

- H.265+/H.265 dual-stream video compression
- Supports adaptive decoding
- Max. decoding capability: 6 × 1080p at 30 fps.
- AI per Camera: Area Protector, Smart Motion Detection

\*Design and specifications are subjects to change without notice.



# INSK8N6CT2T

## Camera: INSTO4NCF

4MP Entry CHROMAVIEW Fixed-focal TURRET Network Camera

## Product Specifications

Camera					
Image Sensor	1/3" 4Megapixel progressive CMOS				
Effective Pixels	2688 (H) ×1520 (V)				
RAM/ROM	128MB/16MB				
Scanning System	Progressive				
Electronic Shutter Speed	Auto/Manual 1/3 s–1/100,000 s				
Minimum Illumination	0.004 Lux at F1.0				
S/N Ratio	More than 56 dB				
Illumination Distance	30 m (98.43 ft)				
Illumination LEDs	1 (warm light)				
Camera Features					
Day/Night	Color / B/W				
Backlight Compensation	BLC / HLC / WDR (120 dB)				
White Balance	Auto / natural / street lamp / outdoor / manual / regional custom				
Gain Control	Auto/Manual				
Noise Reduction	3D DNR				
Motion Detection	OFF/ON (4 areas, rectangular)				
Region of Interest	Yes (4 areas)				
Image Rotation	0°/90°/180°/270° (Support 90°/270° with 2560 × 1440 resolution and lower)				
Smart Illumination	Yes				
Privacy Masking	4 Areas				
Mirror	Yes				
Lens					
Lens Type	Fixed-focal				
Mount Type	M12				
Focal Length	2.8 mm				
Max. Aperture	F1.0				
Viewing Angle	Horizontal: 97°; Vertical: 54°; Diagonal: 115°				
Pan/Tilt/Rotation	Pan: 0°–360°; Tilt: 0°–78°; Rotation: 0°–360°				
DORI Distance	Lens	Detect	Observe	Recognize	Identify
	2.8	66.0 m (216.5 ft)	26.4 m (86.6 ft)	13.2 m (43.3 ft)	6.6 m (21.7 ft)
Video					
Compression	H.265+; H.264+; MJPEG (only supported on the sub stream)				
Resolution	4M (2688 × 1520); 3M (2304 × 1296); 1080p (1920 × 1080); 1.3M (1280 × 960); 720p (1280 × 720); D1 (704 × 576/704 × 480); VGA (640 × 480); CIF (352 × 288/352 × 240)				
Frame Rate	Main Stream: 2688 × 1520 at 1 to 25/30 fps				
	Sub stream: 704 × 576 (1 fps to 25 fps); 704 × 480 (1 fps to 30 fps)				
Bit Rate	H.264: 32 Kbps–6144 Kbps				
	H.265: 12 Kbps–6144 Kbps				

\*Design and specifications are subjects to change without notice.



# INSK8N6CT2T

## Camera: INSTO4NCF

4MP Entry CHROMAVIEW Fixed-focal TURRET Network Camera

## Product Specifications

Audio	
Built-in Microphone	Yes
Audio	G.711a; G.711Mu; G.726; PCM
Certifications	
Certifications	CE-LVD: EN 62368-1; CE-EMC: Electromagnetic Compatibility Directive 2014/30/EU; FCC: 47 CFR FCC Part 15, Subpart B
Alarm	
Alarm Event	IP conflict; illegal access; motion detection; video tampering; security exception; network disconnection; audio exception
Security	
Cyber Security	Digest; security logs; WSSE; account lockout; syslog; video encryption; 802.1x; IP/MAC filtering; HTTPS; trusted upgrade; trusted boot; firmware encryption; Generation and importing of X.509 certification; Configuration encryption; Trusted execution
Network	
Ethernet	RJ-45 (10/100 Base-T)
SDK & API	Yes
Storage	FTP
Management Software	STORM, STORM+, ARKIV
Protocol	IPv4; IPv6; HTTP; TCP; UDP; ARP; RTP; RTSP; RTCP; SMTP; FTP; DHCP; DNS; DDNS; NTP; Multicast; ICMP; IGMP
Compatibility	ONVIF (Profile S/Profile T); CGI; P2P
Maximum User Access	6
Smart Phone	iOS, Android
Browser	Chrome; Firefox; IE
General	
Power Supply	12V DC/PoE (802.3af)
Power Consumption	Less than 5.4W
Working Environment	-40°C to +60°C (-40°F to +140°F); Less than 95% RH
Protection	IP67
Material	Metal
Dimensions	85.6 mm × Ø94.0 mm (3.37" × Ø3.70")
Weight	0.73 lbs (0.33 kg)

\*Design and specifications are subjects to change without notice.

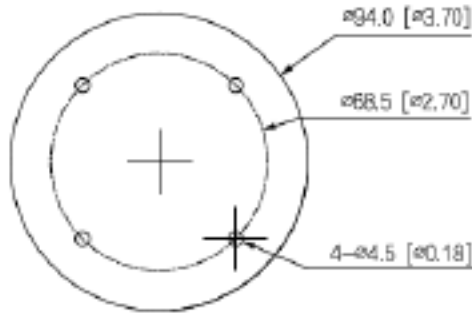
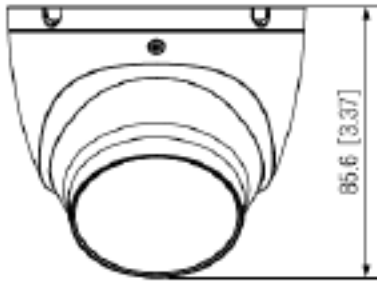


# INSK8N6CT2T

**Camera: INSTO4NCF**

4MP Entry CHROMAVIEW Fixed-focal TURRET Network Camera

## Product Specifications



**INSX13AE  
Junction Box**



**INSX205W  
Wall Mount**





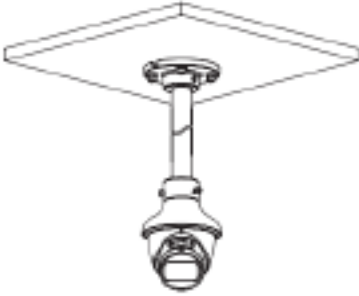

**INSX152  
Pole Mount**



**INSX220C  
Ceiling Mount**



**INSX106  
Mount Adapter**

Junction Mount	Wall Mount
<b>INSX13AE</b>	<b>INSX205W</b>
	
Ceiling Mount	Pole Mount
<b>INSX220C + INSX106</b>	<b>INSX205W + INSX152</b>
	

\*Design and specifications are subjects to change without notice.



# INSK8N6T2T

NVR: INS881N

8 Channel NVR with 8 PoE Ports

## Product Specifications

System	
Main Processor	Industrial embedded micro-processor
Operating System	Embedded LINUX
Operation Interface	Web; local GUI
Area Protector	
Performance	4 channels
Smart Motion Detection	
Performance	4 channels; Secondary filtering for human and motor vehicle SMD Plus, reducing false alarms caused by leaves, rain and lighting condition change
Video and Audio	
Channels	8 Channels
Network Bandwidth	Access: 80 Mbps; Storage: 80 Mbps; Forward: 60 Mbps
Resolution	12MP, 8MP, 6MP, 5MP, 4MP, 3MP, 2MP, 720p, D1
Decoding Capability	1-channel 12MP at 30 fps; 1-channel 8MP at 30 fps; 2-channel 5MP at 30 fps; 3-channel 4MP at 30 fps; 6-channel 1080p at 30 fps
Video Output	1 × VGA, 1 × HDMI (simultaneous)
Multi-screen Display	1 / 4 / 8 / 9
Third Party Camera Access	ONVIF
Compression	
Video	H.265+; H.264+; H.265; H.264; MJPEG
Audio	PCM; G.711A; G.711U; G.726
Network	
Network Protocol	HTTP; HTTPS; TCP/IP; IPv4/IPv6; UPnP; SNMP; RTSP; UDP; SMTP; NTP; DHCP; DNS; IP Filter; PPPoE; DDNS; FTP; Alarm Server; IP Search (Supports STORM IP cameras, DVR, NVR, and more.) ; P2P
Mobile Phone Access	Android; iOS
Interoperability	ONVIF (profile T/S/G); CGI; SDK

\*Design and specifications are subjects to change without notice.



# INSK8N6T2T

NVR: INS881N

8 Channel NVR with 8 PoE Ports

## Product Specifications

Recording	
Multi-channel Playback	Up to 8 channels
Record Mode	Manual record; alarm record; motion detection record; schedule record
Storage Method	Local HDD and Network
Backup	USB device
Playback Function	1. Play; pause; stop; fast forward; fast backward; rewind; play by frame 2. Full screen; backup (video clip/file); partially zoom in; audio on/off
Alarm	
General Alarm	Motion detection; privacy masking; video loss; PIR alarm
Anomaly Alarm	Camera offline; storage error; disk full; IP conflict; MAC conflict; login lock; cyber security exception
Smart Alarm	Area Protector; Smart Motion Detection
Alarm Linkage	Recording; snapshot; buzzer; log; preset; email; tour
Rear Panel	
Audio Input	1 channel
Audio Output	1 channel
HDD	1 SATA ports, up to 16 TB for a single HDD. The maximum HDD capacity varies with environment temperature
USB	1 front USB 2.0 port; 1 rear USB 2.0 port
Network	1 × RJ-45, 10/100 Mbps self-adaptive Ethernet port
PoE	8 × PoE ports, 10/100 Mbps
General	
Power Supply	48/53 VDC, 2/1.8 A
Power Consumption	Total output of NVR is ≤ 10 W (without HDD) Total output power of PoE is 72 W, the maximum output power of a single port is 25.5 W
Weight	1.95 lbs (0.89kg)
Dimensions	260 mm × 232.7 mm × 47.6 mm (10.24" × 9.16" × 1.87")
Operating Temperature	-10°C to +55°C (+14°F to +131°F); 10%–93% (RH)
Installation	Rack or Desktop

\*Design and specifications are subjects to change without notice.

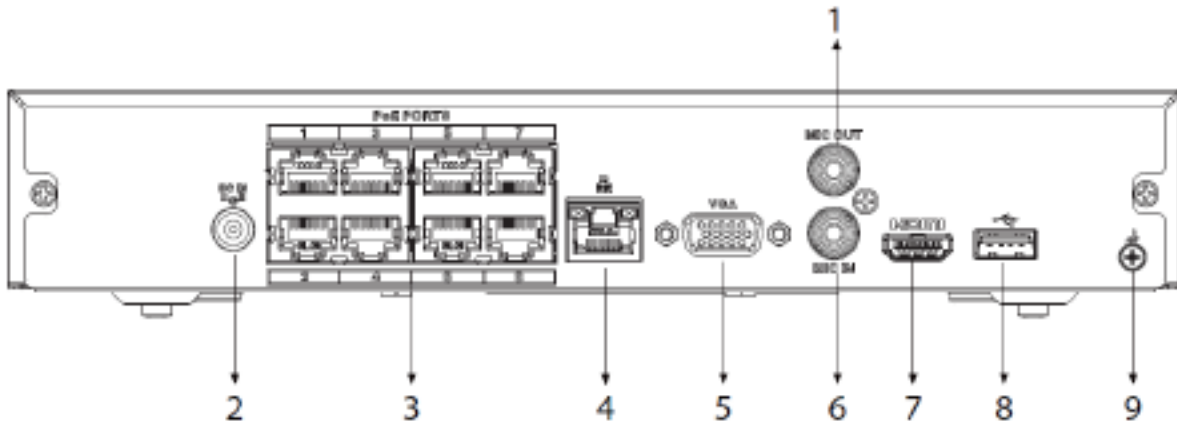


# INSK8N6T2T

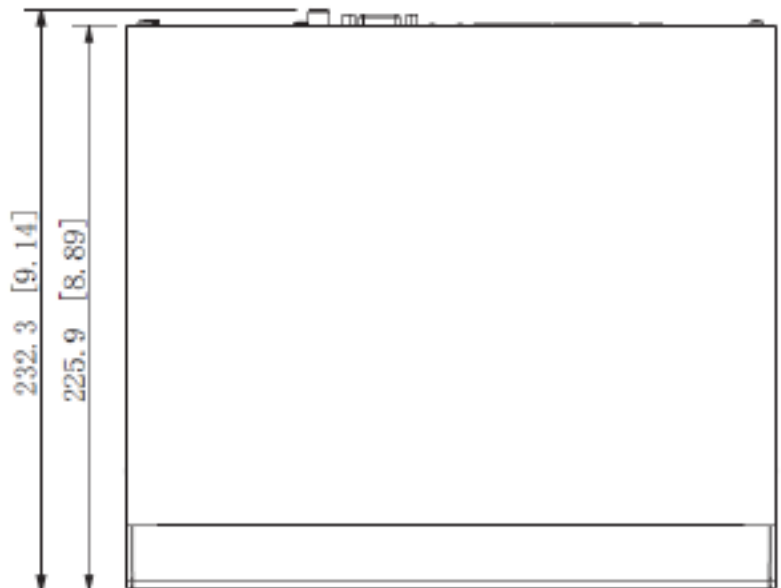
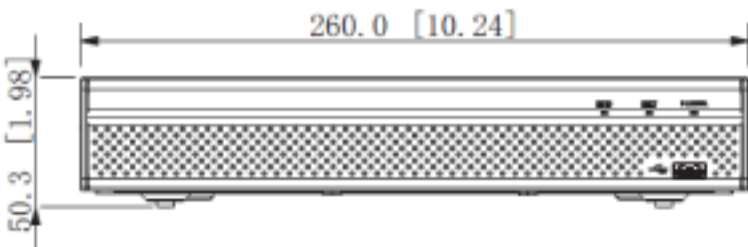
NVR: INS881N

8 Channel NVR with 8 PoE Ports

## Product Specifications



- |   |                          |   |                         |
|---|--------------------------|---|-------------------------|
| 1 | AUDIO OUT, RCA Connector | 2 | Power Input             |
| 3 | PoE Ports                | 4 | Network Port            |
| 5 | VGA Port                 | 6 | AUDIO IN, RCA Connector |
| 7 | HDMI Port                | 8 | USB Port                |
| 9 | Ground                   |   |                         |



\*Design and specifications are subjects to change without notice.

